

KS5T

HIGH EFFICIENCY POLYCRYSTALLINE PHOTOVOLTAIC MODULE



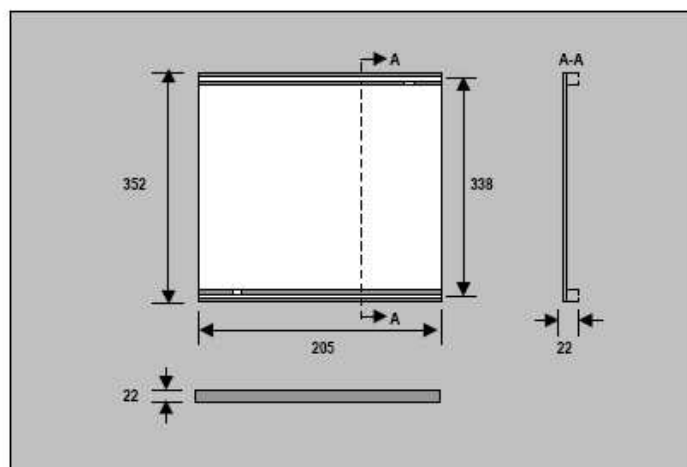
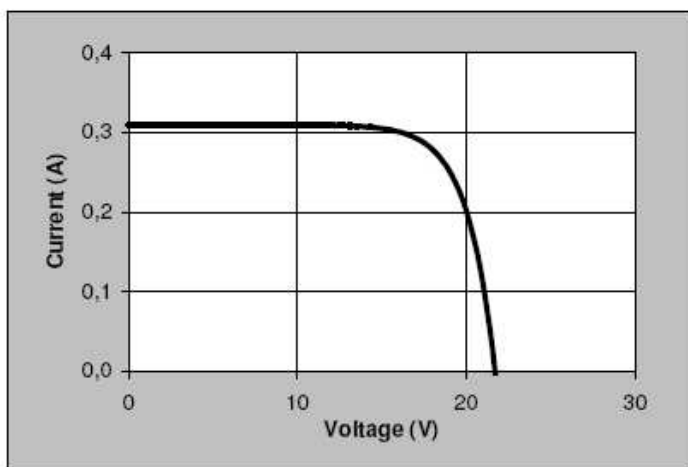
These modules are produced with high efficiency (>14%) polycrystalline solar cells made by Kyocera in Japan. These cells are encapsulated between a tempered glass cover and an EVA foil and TPE back sheet to provide maximum protection against severe environmental conditions. The entire laminate is installed in an anodized aluminum frame to provide structural strength and ease of installation. The junction box at the back is used for interconnection with other components of the system.

Electrical Specifications

Nominal Power (NP)	5 Wp
Voltage @ NP	17,4 V
Current @ NP	0,29 A
Open Circuit Voltage	21,7 V
Short Circuit Current	0,31 A

Physical Specifications

Length	205 mm
Width	352 mm
Depth	22 mm
Weight	1,2 Kg



The electrical specifications are under test conditions of irradiance of 1 kW/m², Spectrum of 1.5 air mass and cell temperature of 25°C.
Minimum Power Output = Nominal Power - 10 %

All the distances are in mm.